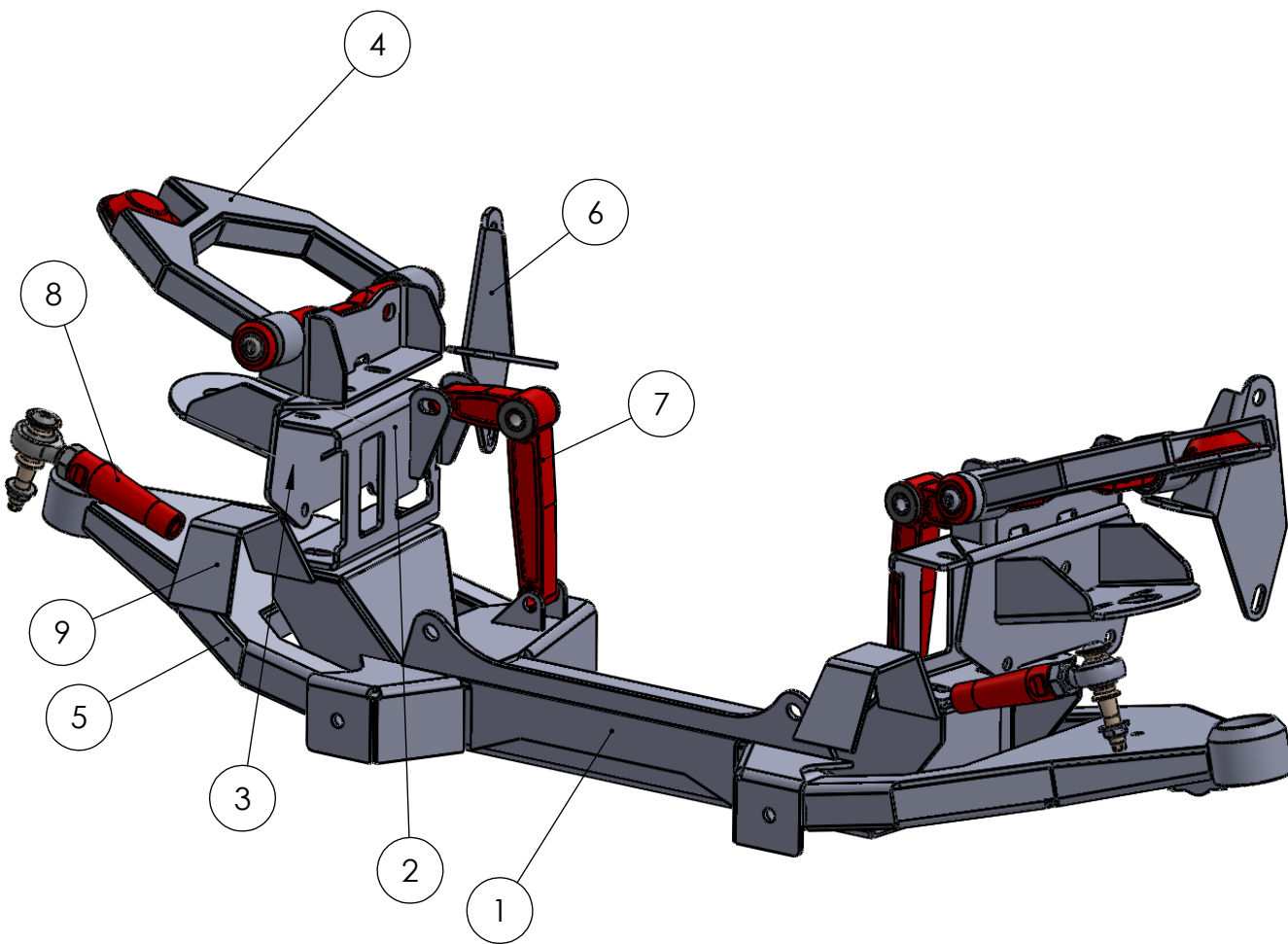


2

1

B

B



A

A

ITEM NO.	PART NUMBER	QTY.
1	Rev3 IFS Lower Cross Member	1
2	6372 Inner Frame Stiffener	2
3	6372 Upper Arm Mount Assembly	2
4	6372 Fabricated Upper Arm	2
5	Rev3 Fabricated Lower Control Arm Assembly	2
6	6372 Upper Shock Mount	2
7	Billet Motor Mount Upright	2
8	CPP Tie Rod Assembly	2
9	Rack Notch	2

DIMENSIONS ARE IN INCHES
 TOLERANCES:
 FRACTIONAL ±
 ANGULAR: MACH ± BEND ±
 TWO PLACE DECIMAL ±
 THREE PLACE DECIMAL ±

NAME DATE

DRAWN

CHECKED

ENG APPR.

MFG APPR.

Q.A.

COMMENTS:

MATERIAL

FINISH

NEXT ASSY

USED ON

APPLICATION

DO NOT SCALE DRAWING

SIZE
A

DWG. NO.

Gen2 IFS Kit

REV.

SCALE:1:24

WEIGHT:

SHEET 1 OF 1

PROPRIETARY AND CONFIDENTIAL

THE INFORMATION CONTAINED IN THIS DRAWING IS THE SOLE PROPERTY OF <COMPANY NAME>. ANY REPRODUCTION IN PART OR AS A WHOLE WITHOUT THE WRITTEN PERMISSION OF <COMPANY NAME> IS PROHIBITED.

2

1