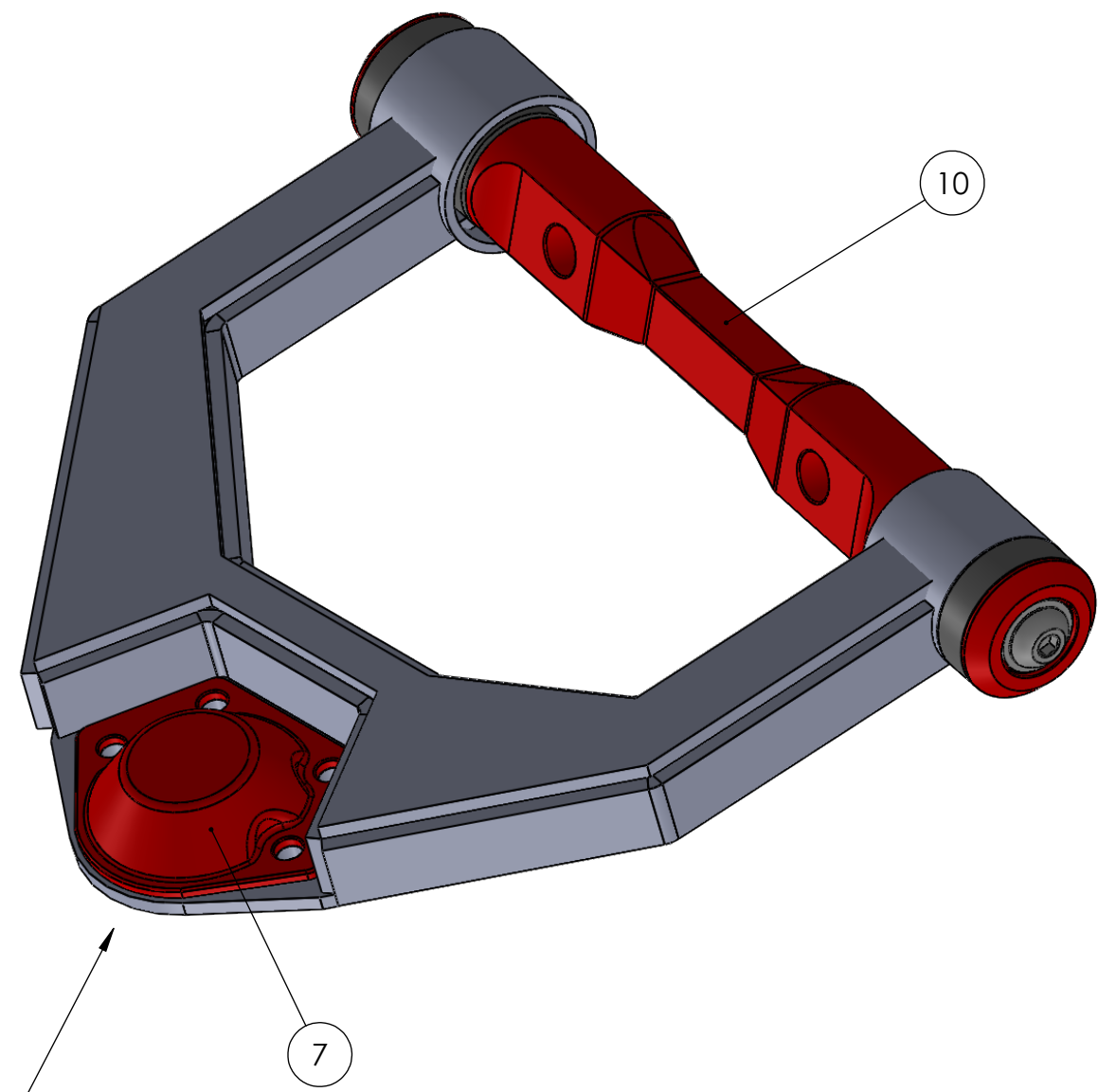


2

1

B

B



Upper balljoint is to be installed on the bottom side of the UCA using 5/16 button heads.

A

A

ITEM NO.	PART NUMBER	DESCRIPTION	QTY.
7	Billet Ball Joint Cap		1
10	Cross Shaft Assembly		1

		DIMENSIONS ARE IN INCHES		NAME	DATE
		TOLERANCES:		DRAWN	
		FRACTIONAL ±		CHECKED	
		ANGULAR: MACH ± BEND ±		ENG APPR.	
		TWO PLACE DECIMAL ±		MFG APPR.	
		THREE PLACE DECIMAL ±		Q.A.	
		MATERIAL		COMMENTS:	
NEXT ASSY	USED ON	FINISH			
APPLICATION		DO NOT SCALE DRAWING			
		SIZE	DWG. NO.	REV.	
		A	Gen2 IFS UCA		
		SCALE:1:4	WEIGHT:	SHEET 1 OF 1	

PROPRIETARY AND CONFIDENTIAL
 THE INFORMATION CONTAINED IN THIS DRAWING IS THE SOLE PROPERTY OF <COMPANY NAME>. ANY REPRODUCTION IN PART OR AS A WHOLE WITHOUT THE WRITTEN PERMISSION OF <COMPANY NAME> IS PROHIBITED.

2

1