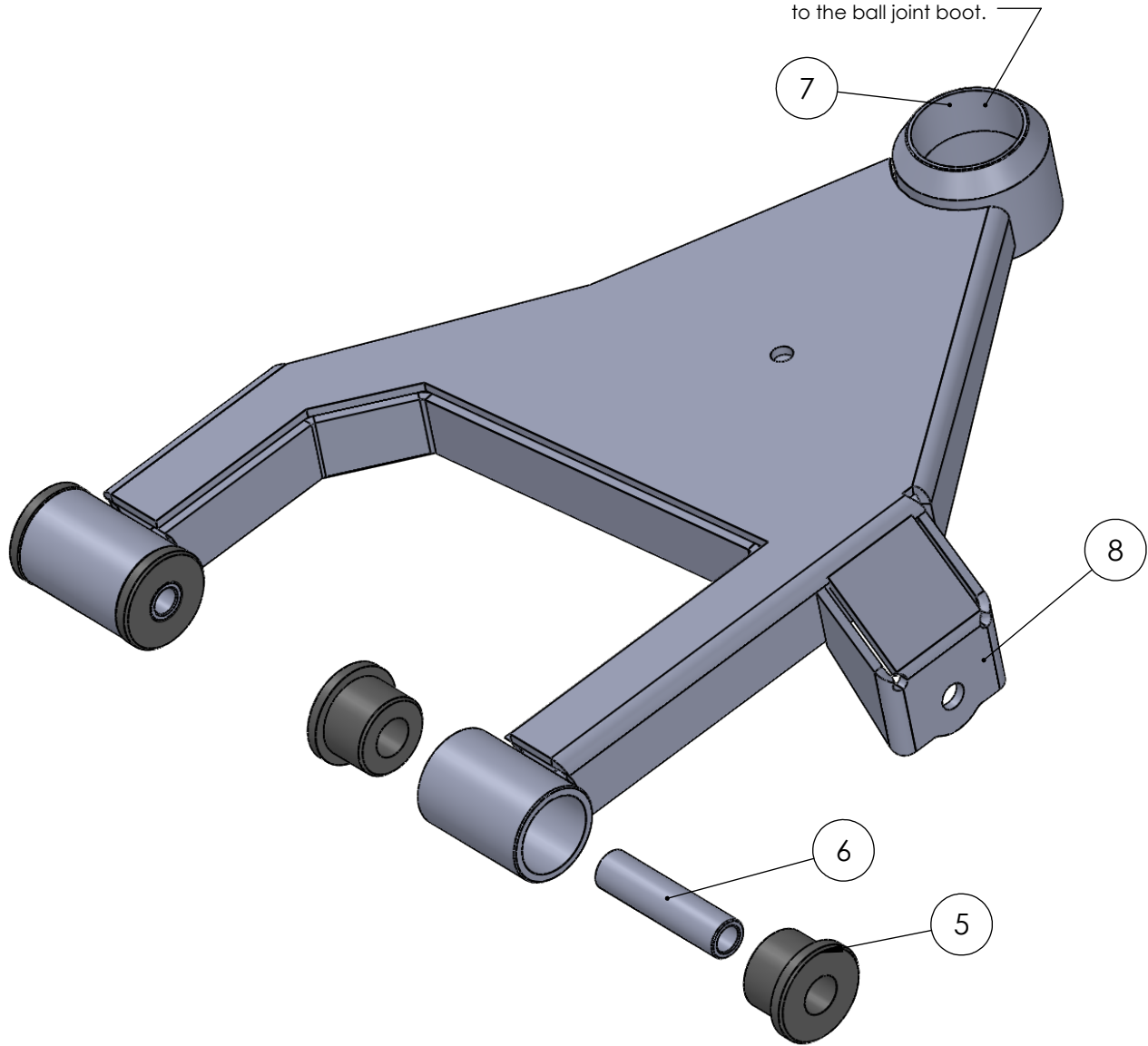


Balljoint part#6117 is to be pressed in using a balljoint press or shop press. Inproper instalation may cause damage to the ball joint boot.



B

B

A

A

ITEM NO.	PART NUMBER	QTY.
5	AVS OG Bushing	4
6	Rev3 Lower Control Arm Sleeve	2
7	Ball Joint Cup	1
8	Rev3 Fabricated Lower Control Arm Lower Shock Mount	1

		DIMENSIONS ARE IN INCHES TOLERANCES: FRACTIONAL ± ANGULAR: MACH ± BEND ± TWO PLACE DECIMAL ± THREE PLACE DECIMAL ±		NAME	DATE
		MATERIAL		DRAWN	
		FINISH		CHECKED	
NEXT ASSY	USED ON			ENG APPR.	
APPLICATION		DO NOT SCALE DRAWING		MFG APPR.	
				Q.A.	
				COMMENTS:	
				SIZE	DWG. NO.
				A	Gen2 IFS LCA
				SCALE:1:12	WEIGHT:
				REV.	
				SHEET 1 OF 1	

PROPRIETARY AND CONFIDENTIAL
THE INFORMATION CONTAINED IN THIS DRAWING IS THE SOLE PROPERTY OF <COMPANY NAME >. ANY REPRODUCTION IN PART OR AS A WHOLE WITHOUT THE WRITTEN PERMISSION OF <COMPANY NAME> IS PROHIBITED.